

Safety device

PVS 782 Relief valve



PVS 782 type are pilot-operated relief valves in which the opening and the closing of the main plug are controlled by a pilot device very sensitive to the line pressure variations.

Scan this QR code with your mobile to get more info!



MAIN FEATURES:

- **Pilot Operated Safety Relief Valve**
- **Top Entry, Globe Body**
- **Sizes: 1", 2", 3", 4", 6", 8"**
- **Body Materials: Ductile iron or Cast Steel**
- **Connections: RF**
- **Ratings: ANSI 150, 300, 600**
- **Initial Relief Pressure: 20 to 1,102 PSIG**
- **Fully Open: 2% or Less Above Initial Relief**
- **Reseat: 7% or less below Set Pressure**
- **Flow Coefficient (Nat.Gas): Cg Range 429 to 26,986**
- **Very high accuracy and speed of response**
- **High flow rate**

**DESIGNED
WITH YOUR
NEEDS IN MIND**

- COMPACT DESIGN
- EASY MAINTENANCE
- HIGH ACCURACY
- TOP ENTRY
- LOW OPERATION COSTS
- FAST RESPONSE TIME

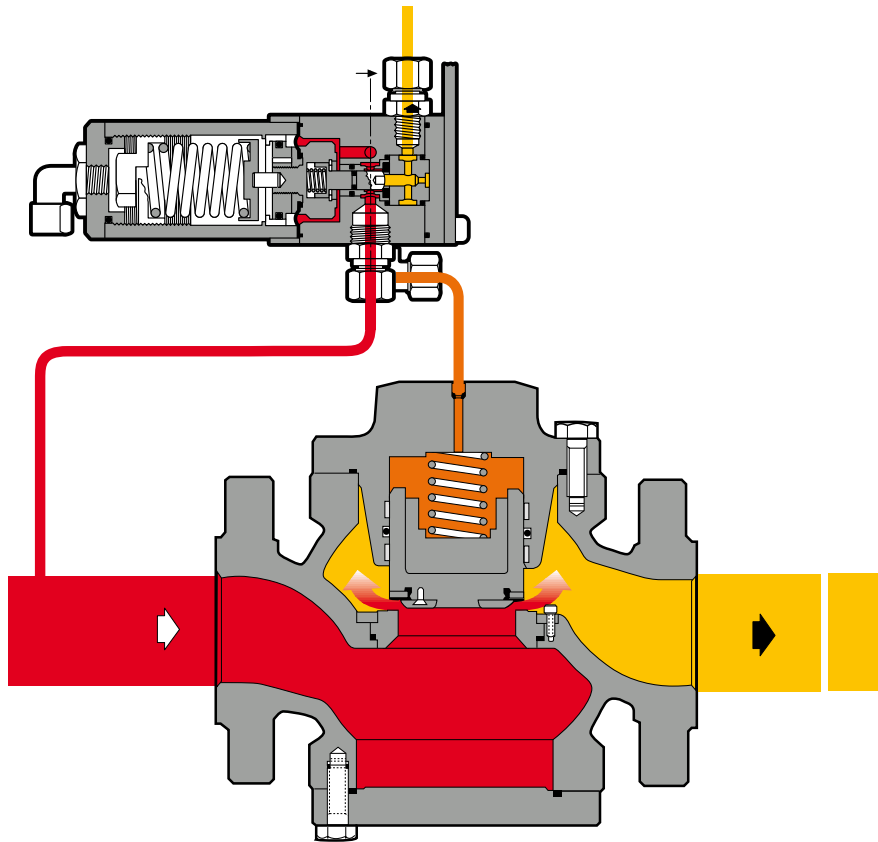


Fiorentini USA
4555 South Berkeley Lake Road
Norcross, GA 30071
Toll - Free: 888.618.8787
Fax: 770.448.7312
www.fioussa.com

Pietro Fiorentini S.p.A.
via E.Fermi 8/10
I-36057 Arcugnano (VI) Italy
Tel: +39 0444 968.511
Fax: +39 0444 960.468
www.fiorentini.com

Safety device

PVS 782 Relief Valve



PVS 782 Relief Valve in action

