

SBC 782
Slam Shut Valves

Slam shut valves

SBC 782

SBC 782 is a compact safety device (SAV) which quickly intercepts gas flow whenever the pressure under monitoring reaches pre-set limits, or whenever manually required by operator on site or through a remote command (optional device).

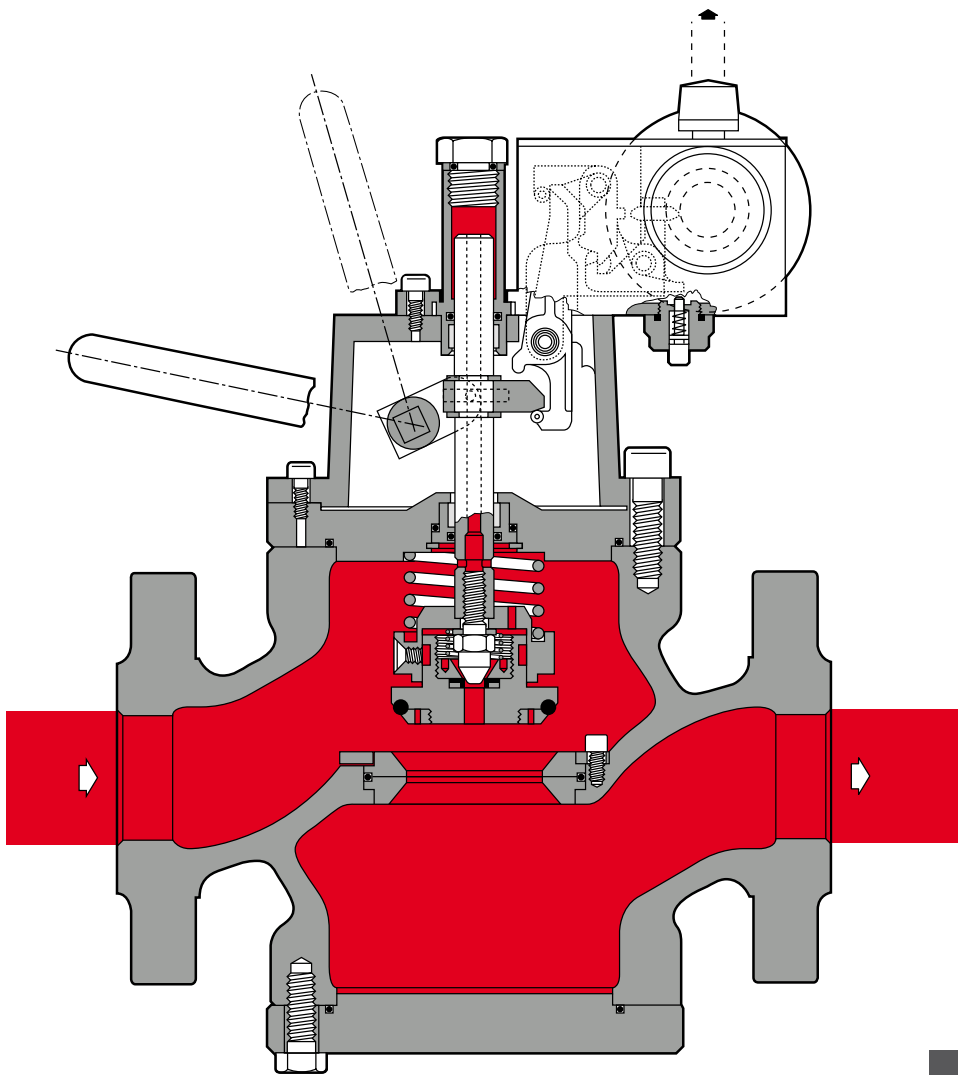


Fig. 1

General Information

SBC 782 is a slam-shut valve with self operated actuation and manual resetting. It is an ideal product for distribution, transmission networks, industrial and chemical engineering applications. SBC 782 is suitable for natural gas and all non-corrosive gaseous media. Its “top entry” design allows an easy maintenance without removing the body from the pipeline.

Main features:

- Intervention for overpressure and/or underpressure;
- Manual push-button control at installation point;
- 3 way solenoid valve for remote control (available on request);
- Manual resetting;
- Internal bypass for pressure equalization before resetting
- Possibility of application of devices for remote signal information (contact switches or proximity switches);

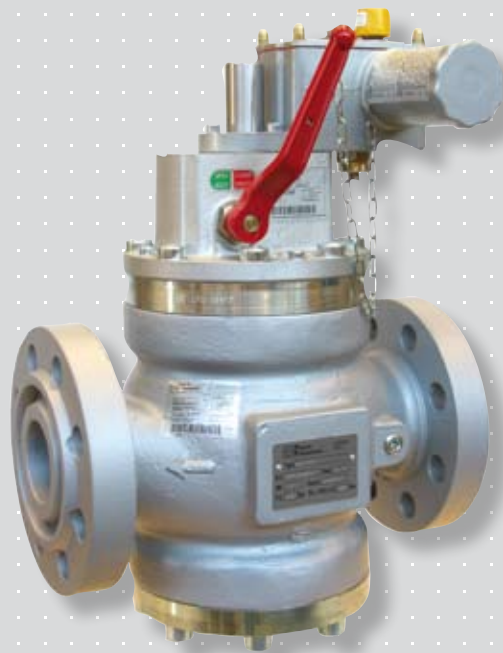


Fig. 2

**DESIGNED
WITH YOUR
NEEDS IN MIND**

- **COMPACT DESIGN**
- **EASY MAINTENANCE**
- **TOP ENTRY**
- **FAST RESPONSE TIME**
- **HIGH ACCURACY**
- **LOW OPERATION COST**
- **THIRD PARTY CERTIFIED SAFETY DEVICE**
- **INTEGRAL BYPASS**

Slam shut valves

MAIN FEATURES

SBC 782

- > Design pressure PS: 18,9 bar (274,5 psi) for class 150
51,7 bar (749,6 psi) for class 300 (up to size 4" only)
102 bar (1479 psi) for class 600 (up to size 4" only)
- > Design temperature: -20 °C to +60 °C (-4 °F to + 140 °F)
- > Ambient temperature: -20 °C to +60 °C (-4 °F to + 140 °F)
- > Range of intervention for overpressure Who: 0,02 to 90 bar (8" w.c. to 1305 psi)
- > Range of intervention for underpressure Whu: 0,01 to 88 bar(4" w.c. to 1276 psi)
(depending on installed pressure controller)
- > Accuracy class AG: up to 1 (depending on setting pressure)
- > Available size: class 150 DN 1" - 2" - 2"1/2 - 3" - 4"- 6" - 8" -10"
class 300 & 600 DN 1" - 2" - 3" - 4"- 6" - 8" -10"
- > Flanging: class ANSI 150 - ANSI 300 - ANSI 600 RF or RTJ according to ANSI16.5
and PN16 according to ISO 7005

MATERIALS

SBC 782

Body	Cast steel ASTM A352 LCC for class 300 and 600 ASTM A216 WBC for class 150 and PN16
Valve Seat	Steel + rubber
Steam	AISI 416 stainless steel
Plug	AISI 416 stainless steel
Diaphragm	Rubberized canvas
Seals	Nitrile rubber
Disengagement device	Housing in light alloy, with stainless steel mechanism
Compression fitting	According to DIN 2353 in zinc-plated carbon steel

The characteristics listed above are referred to standard products. Special characteristics and materials for specific applications may be supplied upon request.

KG valve coefficient
SBC 782

Nominal diameter (mm)	25	50	65	80	100	150	200	250
Size (inches)	1"	2"	2"1/2	3"	4"	6"	8"	10"
K_G flow coefficient	510	1970	3550	4390	7120	14780	23080	32506



For sizing formula refer to

www.fiorentini.com/sizing


Slam-shuth pressure switches
SBC 782

Pressure Switch	Set point range for Overpressure (OPSO)	Set point range for Uderpressure (UPS0)
101M	0,02 to 1	0,01 to 0,26
102M	0,2 to 5,5	0,04 to 2,8
103M	2 to 22	0,2 to 8
104M	7,5 to 45	1,6 to 18
105M	30 to 90	3 to 44
102MH	0,2 to 5,5	2,8 to 5,5
103MH	2 to 22	8 to 19
104MH	7,5 to 45	18 to 41
105MH	30 to 90	44 to 90

values in bar(g)

Installation

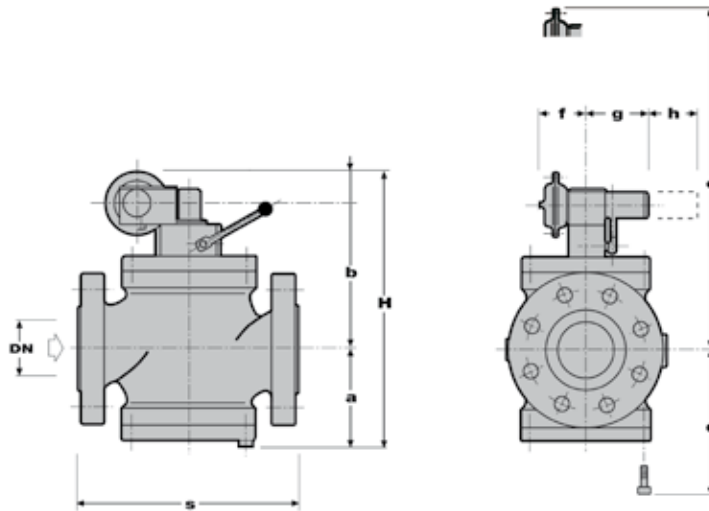
SBC 782

To ensure proper operation and declared performance, the following should be observed when installing the SBC782 slam shut valves:

- a) filtering: the gas flowing through the piping must be adequately filtered. It is also recommended that the piping upstream the regulator is clean and avoids impurities;
- b) sensing line: for correct operation, the sensing line nipple must be appropriately positioned. Between the valve and the downstream take-off there must be a length of straight pipe \geq four times the diameter of the outlet pipe; beyond the take-off, there must be a further length of pipe \geq twice the same diameter.

SBC Slam shut valves





Overall dimensions in mm

Size (mm)	25	50	65	80	100	150	200	250
Inches	1"	2"	2"1/2	3"	4"	6"	8"	10"
S - Ansi 150/Pn16	183	254	277	298	352	451	543	673
S - Ansi 300	197	267	-	317	368	473	568	708
S - Ansi 600	210	286	-	336	394	508	609	752
a	100	130	140	150	190	225	265	340
b	215	240	270	315	300	375	450	530
d	130	160	180	200	250	275	320	440
e	280	330	380	425	440	560	625	730
f	75,5	75,5	75,5	75,5	75,5	75,5	75,5	75,5
g	118	118	118	118	118	118	118	118
h	80	80	80	80	80	80	80	80
H	315	370	420	45	490	600	715	870

Face to face dimensions S according to IEC 534-3 and EN 334

Weights in Kgf

S - Ansi 150/Pn16	21	37	45	51	79	154	255	430
S - Ansi 300	22	40	48	54	95	190	290	577
S - Ansi 600	23	42	51	57	100	210	335	577



Reducing Stations



Gas Metering



Pressure Regulators



Pietro Fiorentini S.p.A.
via E.Fermi 8/10
I-36057 Arcugnano (VI) Italy

Tel. +39 0444 968.511
Fax. +39 0444 960.468

The data are not binding. We reserve the right to make eventual changes without prior notice.

CT-s 512-E March14

www.fiorentini.com