



Fiomaster

Pressurized Orifice Fittings

Dual chamber orifice fittings

FIOMASTER

The classic dual chamber orifice plate, for orifice removal under pressure now with the advantage of Electroless Nickel Plated body for a real rust free performance.

Sizes, DN: 2" to 24"

Rating* : ANSI 150 / 300 / 600

*for greater rating please contact Pietro Fiorentini Sales Team



All the component parts of the **Pietro Fiorentini** pressurized orifice fittings have been designed to guarantee full efficiency even after a lengthy working time. Precision machining carried out on appropriately equipped CNC machines and strict quality control guarantee the constancy and the high quality of the product.

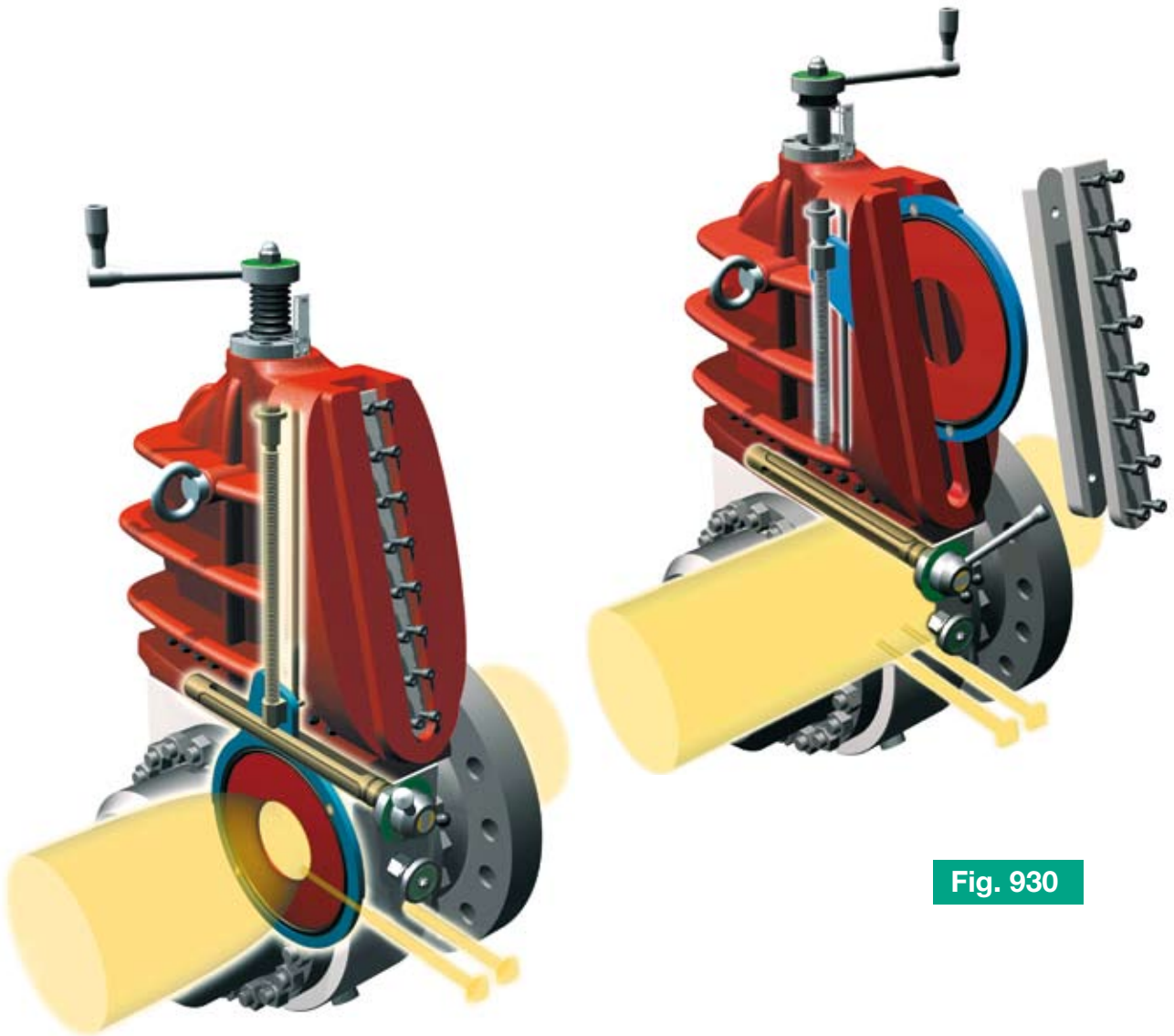


Fig. 930

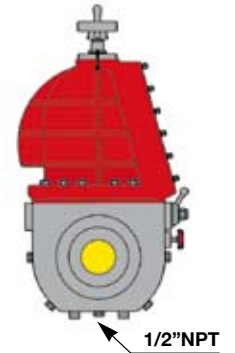
Reference standards

All Pietro Fiorentini **"FIOMASTER"** pressurized orifice fittings are designed and manufactured to current **ISO 5167/API/AGA 14.3** standards.

Overall dimensions

Fiomaster

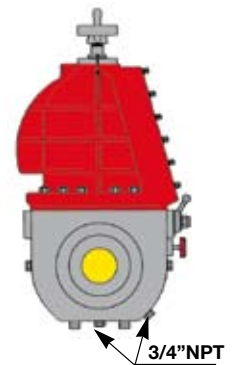
FIG. 930-1													CLASS 150		
SIZE	RF	RF+BW	BW	D	B	E	F	H	N	P	S	R	WEIGHT		
													RF	RF+BW	BW
2"	270	270	270	i	102	208	133	370	125	152	118	3,17	53	48	42
3"	273	273	273	i	113	226	163	413	152	191	134	3,17	69	63	56
4"	279	279	279	i	138	239	187	456	191	229	150	3,17	98	89	78
6"	286	286	286	i	157	300	257	607	241	280	203	3,17	170	159	147
8"	318	318	318	i	190	315	315	695	298	343	236	3,17	260	250	240
10"	330	330	330	i	260	350	370	804	362	406	273	3,17	370	340	310
12"	356	356	356	i	288	421	450	939	432	483	330	6,35	559	538	516
14"	381	381	381	i	305	493	490	1070	476	533	360	6,35	710	620	560
16"	406	406	406	i	347	584	546	1200	540	597	390	6,35	980	920	890
18"	467	467	467	i	377	615	630	1290	578	635	460	9,5	1230	1090	995
20"	489	489	489	i	412	640	675	1427	635	699	508	9,5	1736	1652	1540
24"	571	571	571	i	500	700	800	1608	749	813	560	9,5	2540	2490	2350
INCH	Millimeters												Kg		



ND 2" ÷ 4"

Drain plug

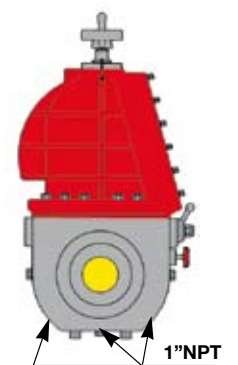
FIG. 930-3													CLASS 300		
SIZE	RF	RF+BW	BW	D	B	E	F	H	N	P	S	R	WEIGHT		
													RF	RF+BW	BW
2"	270	270	270	i	102	208	133	370	127	165	118	3,17	56	51	45
3"	282	282	282	i	113	226	163	413	168	210	134	3,17	76	68	60
4"	305	305	305	i	138	239	187	456	200	254	150	3,17	108	97	88
6"	356	356	356	i	157	300	257	607	270	318	203	3,17	215	197	168
8"	356	356	356	i	190	315	315	695	330	381	236	3,17	296	273	250
10"	394	394	394	i	260	350	370	804	387	444	273	3,17	393	350	320
12"	432	432	432	i	288	421	450	939	451	521	330	6,35	629	590	538
14"	483	483	483	i	305	493	490	1070	514	584	360	6,35	775	660	614
16"	572	572	572	i	347	584	546	1200	572	648	390	6,35	1170	1114	985
18"	552	552	552	i	377	615	630	1290	629	711	460	9,5	1439	1310	1185
20"	580	580	580	i	412	640	675	1427	686	775	508	9,5	1962	1795	1661
24"	682	682	682	i	500	700	800	1608	813	914	560	9,5	2910	2655	2520
INCH	Millimeters												Kg		



ND 6" ÷ 10"

Drain plug

FIG. 930-3													CLASS 600		
SIZE	RF	RF+BW	BW	D	B	E	F	H	N	P	S	R	WEIGHT		
													RF	RF+BW	BW
2"	270	270	270	i	102	208	133	370	127	165	118	3,17	59	54	48
3"	356	356	356	i	113	226	163	413	168	210	134	3,17	82	74	67
4"	337	337	337	i	138	239	187	456	216	273	150	3,17	130	115	101
6"	406	406	406	i	157	300	257	607	292	356	203	3,17	242	210	170
8"	445	445	445	i	190	315	315	695	349	419	236	3,17	365	314	270
10"	478	478	478	i	260	350	370	804	432	508	273	3,17	495	416	370
12"	510	510	510	i	288	421	450	939	489	559	330	6,35	749	668	589
14"	527	527	527	i	305	493	490	1070	527	603	360	6,35	895	780	665
16"	585	585	585	i	347	584	546	1200	603	686	390	6,35	1295	1182	1050
18"	680	680	680	i	377	615	630	1290	654	743	460	9,5	1757	1540	1325
20"	712	712	712	i	412	640	675	1427	724	813	508	9,5	2360	1985	1822
24"	825	825	825	i	500	700	800	1608	838	914	560	9,5	3380	2990	2850
INCH	Millimeters												Kg		

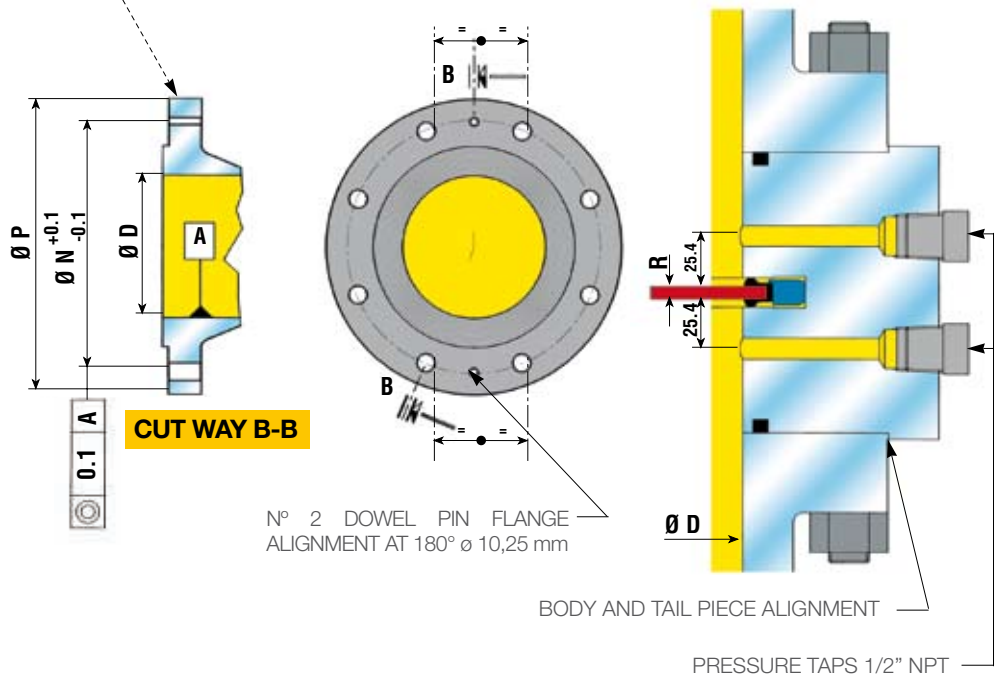
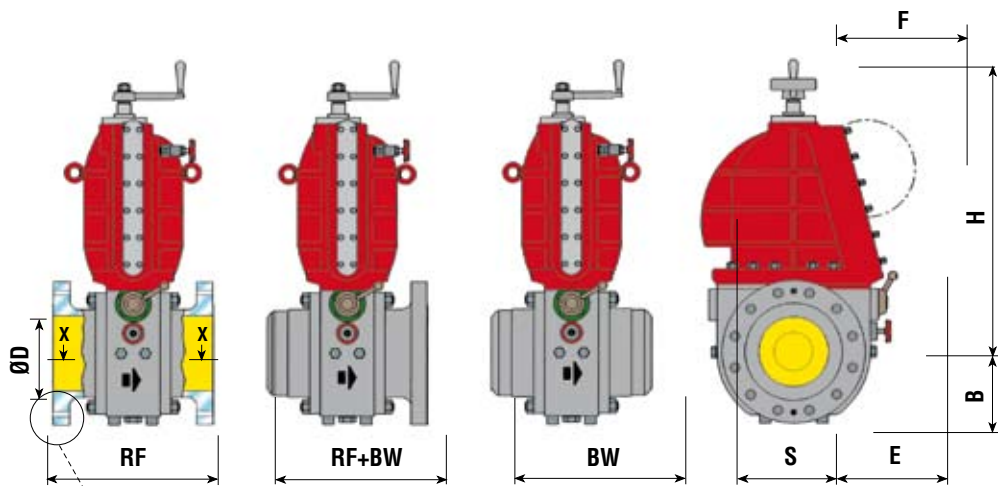


ND 12" ÷ 24"

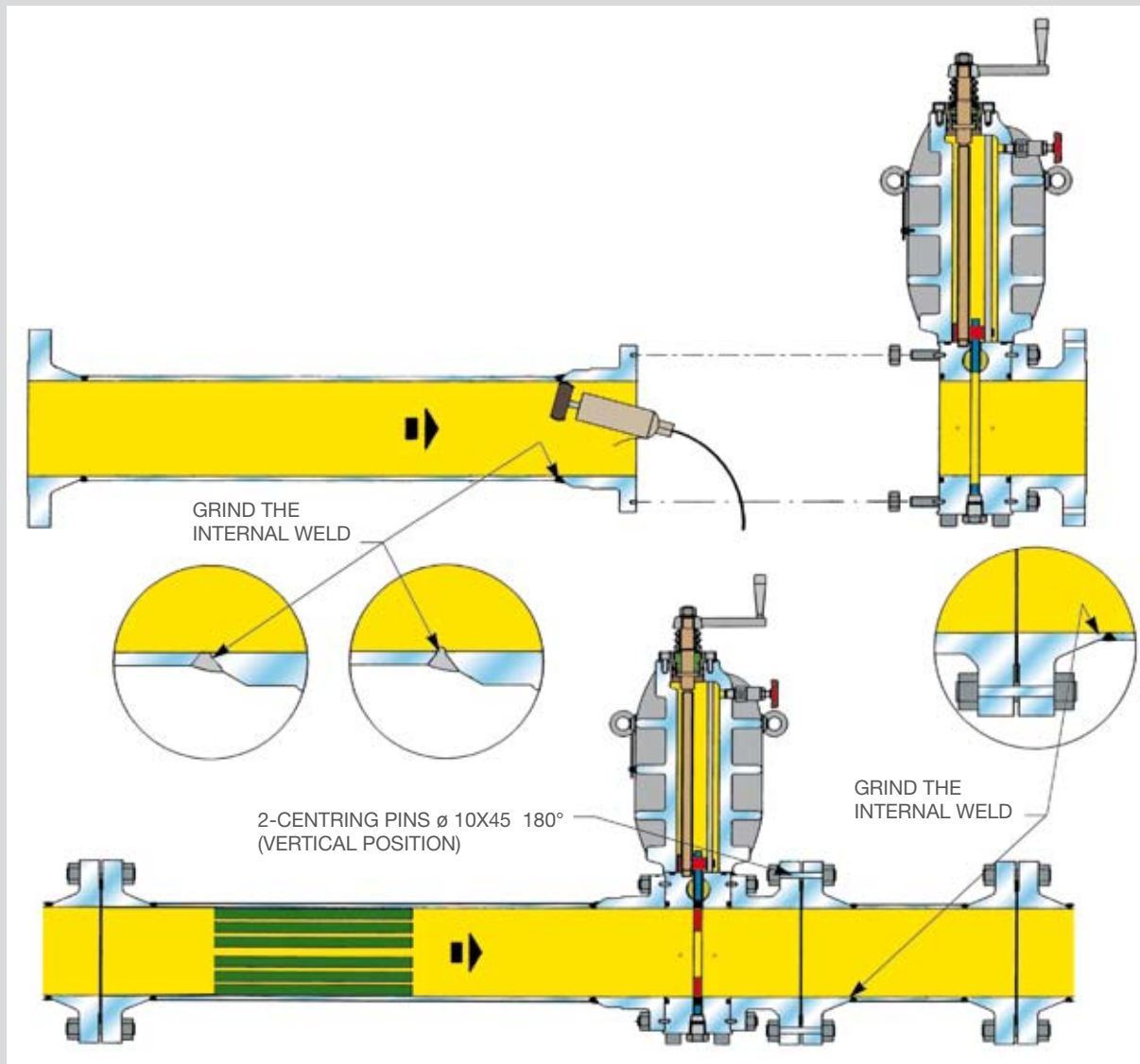
Drain plug

* To be specified by purchaser

bore tolerance "D" ± 0.05 mm ≤ 10"
± 0.08 mm for ND > 10"



FLANGE EXAMPLE



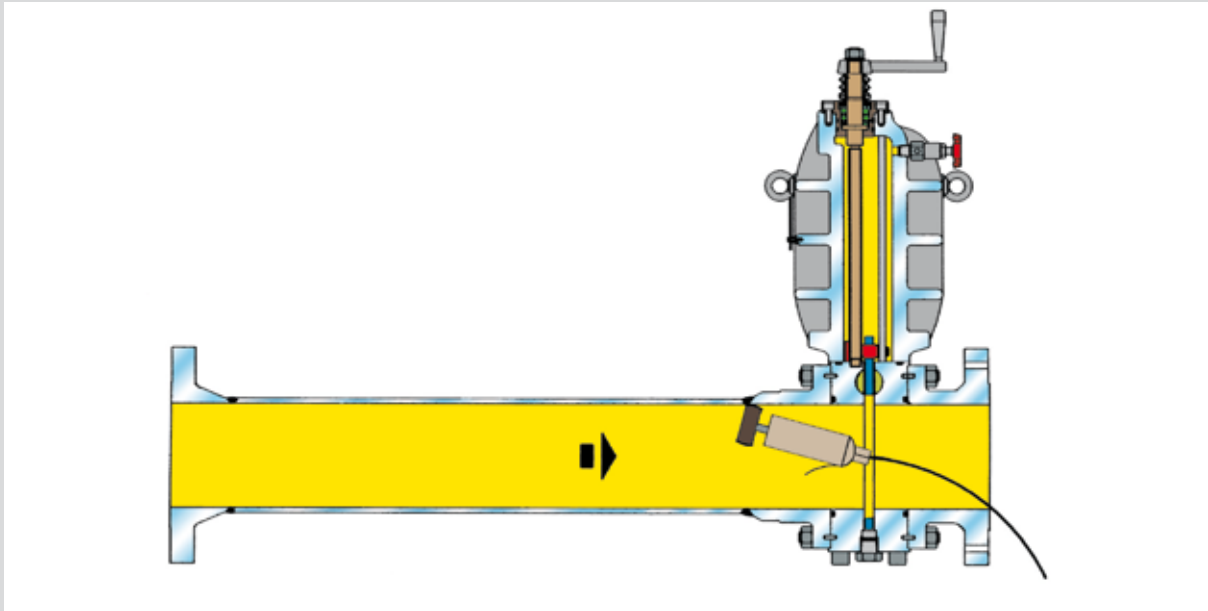
Disassemble the end of the orifice fittings and weld it on the measuring branch.

Carefully grind the inside surface of the pipe so as to respect the tolerances laid down in ISO/API/AGA14.3 standards.

X-ray control of the weld will be more practical and manageable.

How Pietro Fiorentini builds the measuring branch

Fiomaster



The diameter and depth of the gauge of the orifice fittings do not facilitate the internal grinding of the weld. For this reason, the orifice fittings is not welded mounted on the measuring branch. This protects the inside of the orifice fittings from any burr, slag or deposit, etc. when grinding the inside of the welding:

Each metering line can be customized upon customer specification requirement.



Ball valves



Pressure regulators



Pressure reducing stations



**Pietro
Fiorentini**

Pietro Fiorentini S.p.A.
via E.Fermi 8/10
I-36057 Arcugnano (VI) Italy

Tel. +39 0444 968.511
Fax. +39 0444 960.468

The data contained is not binding. We reserve the right to changes without prior notice.